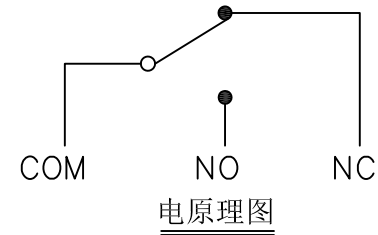
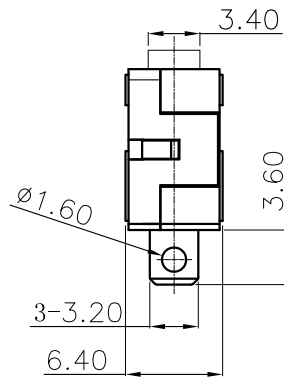
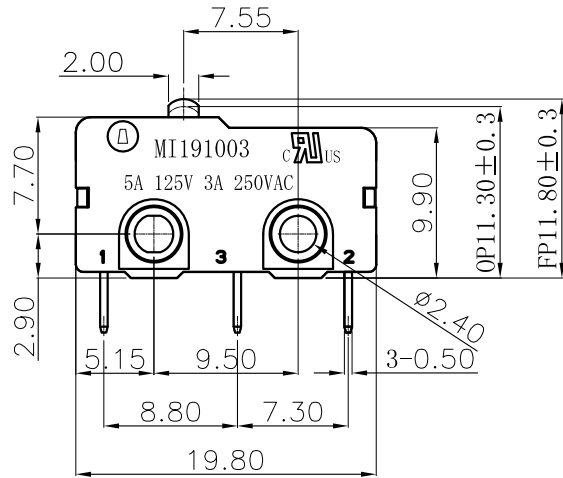
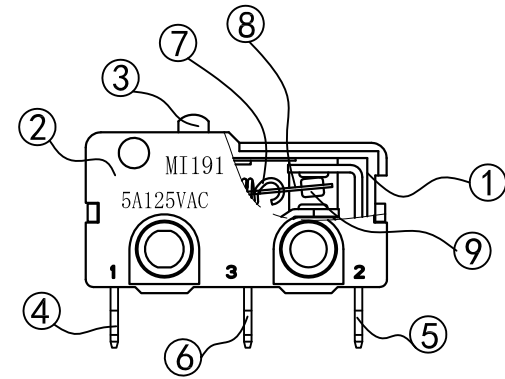


遵守欧盟WEEE和ROHS之规定

技术参数

工作温度: -20°C--80°C
 额定值: DC12V 0.3A
 接触电阻: 100mΩ 最大
 绝缘电阻: DC 500V >100MΩ
 耐电压强度: AC 500V 1分钟
 操作力: 150±30gf
 机械寿命: 100万次



⑨	触点	—	1	紫铜	镀银 (Ag)	
⑧	活动片	—	1	C5191R t=0.25	木色 (Natural)	
⑦	拉簧	—	1	碳素钢	木色 (Natural)	
⑥	端子(3)	NO	1	H65Y t=0.5	镀银 (Ag)	
⑤	端子(2)	NC	1	H65Y t=0.5	镀银 (Ag)	
④	端子(1)	COM	1	H65Y t=0.5	镀银 (Ag)	
③	导芯	—	1	PBT G15	黑色 (Black)	
②	盖子	—	1	PBT G15	黑色 (Black)	
①	基座	—	1	PBT G15	黑色 (Black)	
序号	零件	端子编号	用量	材料	镀层/颜色	备注

承认		日期	东莞市凯华电子有限公司 KAIHUA ELECTRONICS CO.,LTD		
设计	徐其锋	2013.06.11			
审核			名称	拉簧型焊线脚中微动开关	
核准			料号	CM1191001W01	
未注尺寸公差		30<L ±0.30 10<L ≤30 ±0.20 5<L ≤10 ±0.15 L ≤5 ±0.10	角度	±2'	
工程变更单号	版次	日期	单位: mm	比例: 1:1	视角
			料号	KHA-MI1910-007	页次 1 OF 1

NEW						
说明						
修改						
审核						
核准						



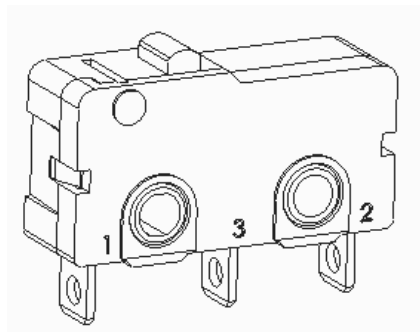
凱華電子
KAIHUA EEELETRONICS

Document Number:

KH-PS1607-56

产品规格书

Product Specification



P/N: CMI191001W01			Title : Micro Switch		
Rev.	ECN	Release and Revision Description:	Prepared By/Date:	Checked By/Date:	Approved By/Date:
A	--	New releasing 初版发行	徐洪锋/2013/06/11	徐洪锋/2013/06/11	品攀豪/2016/06/13
B	--	Revise format 修订格式	张林/2016/07/21	张林/2016/07/21	马忠军/2016/07/21



凱華電子
KAIHUA EEELETRONICS

Product Specification

P/N:	DOC. No.:	Rev.:	Page:
CMI191001W01	KH-PS1607-56	B	2/10

Content

目录

1. Scope/范围:	3
2. Product Application/产品应用 :	3
3. Technology Parameters/技术参数	3
4. Ratings/额定性能要求	3
5. Profile Dimensions /外形尺寸	3
6. Electrical Performance/电气性能	4
7. Mechanical Performance/机械性能	5
8. Environmental Performance/环境性能	7
9. Recommended PCB Layout/推荐的 PCB 安装焊盘规格	9
10. Loading Parameter Specification/荷重参数规格	9
11. Prackaging/包装	10
12. Precaution/注意事项	10

“ Confidential ”

All Right Reserved COPYRIGHT Kaihua Electronics Co.,LTD



P/N: CMI191001W01	DOC. No.: KH-PS1607-56	Rev.: B	Page: 3/10
-----------------------------	----------------------------------	-------------------	----------------------

1. Scope/范围:

This Product Specification covers the requirement of Micro switch on product performance, test methods and quality assurance provisions.
本规格书内容涵盖微动开关产品的要求，包括性能指标、测试方法及质量保证方面等。

2. Product Application/产品应用:

The Switch is applied in the automobile, home appliances, electric tools, industrial control equipment, medical equipment and security equipment. Please let us know before using any of the products in the application not described above.
该开关适用在汽车、家电、电动工具、工业控制设备、医疗设备和安防器材，如果用于本文中未提及的领域请在使用前告知。

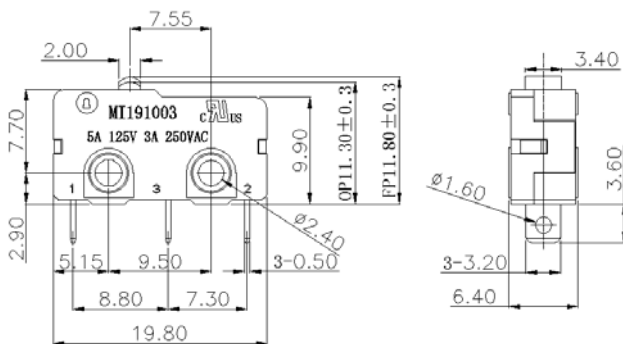
3. Technology Parameters/技术参数

Ambient Humidity 工作湿度:	45~85% R.H.;
Operating Temperature Range 使用温度范围:	-20℃~+80℃;
Storage Temperature Range 保存温度范围:	-40℃~+80℃;
Normal Condition:	
Ambient temperature 环境温度:	20±5℃
Relative humidity 相对湿度:	65±5%R.H.;
Air pressure 气压:	86~101KPa;
Contact Resistance 接触阻抗:	100 mΩ Max;
Operation Force 操作力:	150±30gf;
Solder Ability 可焊性:	245±5℃,3±0.5s;
Withstand Soldering Temperature 耐焊接热:	260±5℃,3±0.5s;

4. Ratings/额定性能要求

Rating 额定负荷:	DC12V / 0.3A;
Insulation Resistance 绝缘电阻:	≥100MΩ / DC 500V;
Withstand Voltage 耐电压:	500V AC 1 Minute;
Mechanical Life 机械寿命:	1,000,000 Cycles (No lead).

5. Profile Dimensions /外形尺寸





凱華電子

KAIHUA EEELETRONICS

Product Specification

P/N:

CMI191001W01

DOC. No.:

KH-PS1607-56

Rev.:

B

Page:

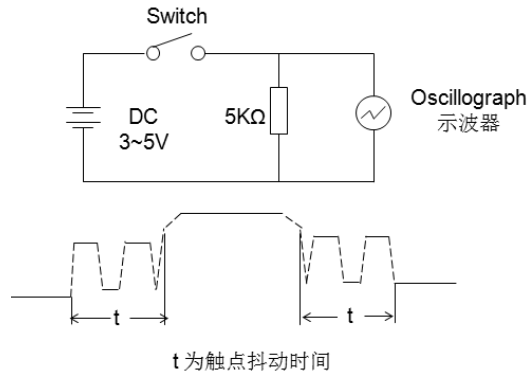
4/10

6. Electrical Performance/电气性能

Item 项目	Description 项目描述	Test Condition 测试条件	Requirement 规格要求
6.1	Contact Resistance 接触电阻	<p>Static load: (Operation force)x2, which is applied on the center of Switch stem. 静态负载: 动作力的 2 倍, 施加在手柄中心.</p> <p>Measurement tool: Contact resistance Meter. 测量工具: 微电流接触电阻计(1KHz, 20mV,5~50mA)</p> <p>Measured at low current (100mA or less). 在低电流 (≤100mA) 条件下测试.</p>	<p>100mΩ Max 100mΩ 以下</p>
6.2	Insulation Resistance 绝缘电阻	<p>Apply a Voltage of DC500 V for 1 minute, according to the below method. (1) Between terminals. (2) Between terminal and Body.</p> <p>输入 500V DC 电压 1 分钟, 按如下接触方法测试: (1) 端子与端子之间. (2) 端子与外壳之间.</p>	<p>100MΩ Min 100 兆欧以上</p>
6.3	Dielectric withstanding voltage 耐电压	<p>Apply a Voltage of AC500 V (50~60Hz) for 1 minute, according to the below method. (1) Between terminals. (2) Between terminal and Body.</p> <p>输入 500V AC 电压 1 分钟, 按如下接触方法测试: (1) 端子与端子之间. (2) 端子与外壳之间.</p>	<p>No evidence of breakdown 无瞬断、击穿等破坏.</p>
6.4	Bouncing 触点抖动	<p>Operation speed: 3~4 times/s 操作速度: 每秒 3~4 次</p> <p>Slightly push the center of stem by 3~4 times/s, to test the bounce at "ON" and "OFF" 以每秒 3~4 次的速度, 轻轻在手柄中心加力, 在"导通"与"瞬断"间测试.</p> <p>Oscillo scope 示波器 Switch Bouncing Test Circuit 抖动测定回路.</p>	<p>Before Life cycle: On: 5ms MAX,5 毫秒以下 Off: 5ms MAX,5 毫秒以下</p> <p>After Life cycle: On: 10ms MAX,10 毫秒以下 Off: 10ms MAX,10 毫秒以下</p>

" Confidential "

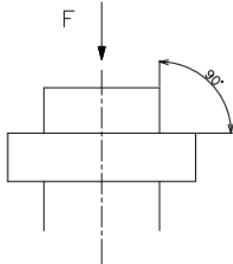
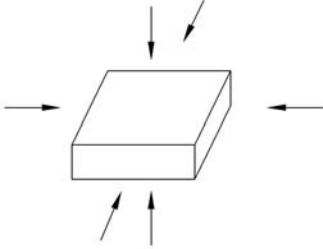
All Right Reserved COPYRIGHT Kaihua Electronics Co.,LTD



7. Mechanical Performance/机械性能

Item 项目	Description 项目描述	Test Condition 测试条件	Requirement 规格要求
7.1	Load curve 荷重曲线	<p>Place the vertical direction of switch operation and gradually increase the load applied to the center of the stem until it stop. 开关的动作方向为垂直放置，向手柄中心逐渐施加负荷直到停止。</p>	See page 10 见第 9 页
7.2	Loading parameter 荷重参数	<p>Place the vertical direction of switch operation and gradually increase the load applied to the center of the stem until it stop. 开关的动作方向为垂直放置，向手柄中心逐渐施加负荷直到停止。</p>	See page 10 见第 9 页



7.3	Static Strength 静止强度	<p>A static load of 3 Kgf shall be applied in the direction of button operation for a period of 60 seconds. 在手柄动作方向施加 3kgf 的静负荷 60 秒, 然后测试参数.</p> 	<p>No damage (Electrical and mechanical) 电气和机械性能正常.</p> <p>Contact resistance 接触电阻: 100mΩ Max</p> <p>Contact force 接触力: 20gf Min</p>
7.4	Stem Pull Strength 手柄拉拔强度	<p>Break by a pull force applied opposite to the direction of stem operation. 在推柄动作方向反向垂直施加拉力, 使其破坏的程度.</p>	500gf Min
7.5	Shock 机械冲击	<p>Measured by according to the below condition: (1) Acceleration: 80g 加速度 (2) Cycles of test: 3 cycles each in 6 directions, for a total of 18 cycles. 试验次数: 每个方向 3 次, 6 个方向共 18 次.</p> 	<p>Shall meet No.6, 7.1, 7.2. 满足 6, 7.1, 7.2 要求.</p>
7.6	Life Test 寿命测试	<p>(1) 1mA 5VDC Resistance load 1mA 5VDC 阻抗负载 (2) Operation speed: 60 cycles/s 操作速度: 60 次/秒 (3) Actuation force: 250 gf 动作力: 250gf (4) Cycles: 1,000,000 times Min 操作次数: 100 万次以上</p>	<p>Contact resistance: 100 Ω max 接触电阻 100 Ω 以下 Bounce: 10m sec max 触点抖动: 10 毫秒以下 No 6.2 to 6.4 and 7.2 shall be satisfied 满足 6.2 到 6.4 项和 7.2 项.</p>



凱華電子

KAIHUA EEELETRONICS

Product Specification

P/N: CMI191001W01	DOC. No.: KH-PS1607-56	Rev.: B	Page: 7/10
----------------------	---------------------------	------------	---------------

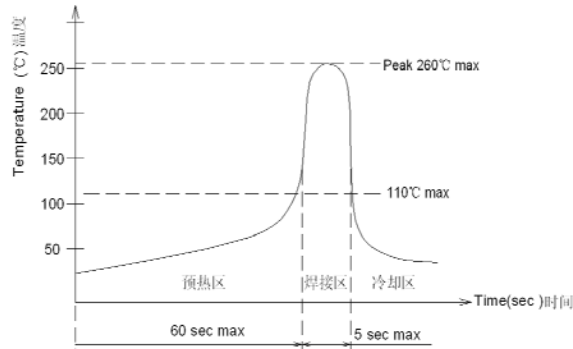
8. Environmental Performance/环境性能

Item 项目	Description 项目描述	Test Condition 测试条件	Requirement 规格要求												
8.1	Cold test 耐寒性	(1) Temperature : $-20 \pm 2^{\circ}\text{C}$ 温度: $-20 \pm 2^{\circ}\text{C}$ (2) Duration of test: 96h 持续时间: 96 小时 (3) Take off a drop water 去掉水珠 (4) Standard conditions after test : 1h 试验后的放置条件: 1 小时	Contact resistance: 200m Ω Max Shall meet : No. 6.2 to 6.4 No. 7.1 to 7.2 接触电阻 200m Ω 以下满足: No. 6.2 to 6.4 No. 7.1 to 7.2												
8.2	Heat test 耐热性	(1) Temperature : $80 \pm 2^{\circ}\text{C}$ 温度: $80 \pm 2^{\circ}\text{C}$ (2) Duration of test: 96h 持续时间: 96 小时 (3) Take off a drop water 去掉水珠 (4) Standard conditions after test : 1h 试验后的放置条件: 1 小时	Contact resistance: 200m Ω Max Shall meet : No. 6.2 to 6.4 No. 7.1 to 7.2 接触电阻 200m Ω 以下满足: No. 6.2 to 6.4 No. 7.1 to 7.2												
8.3	Temperature cycle 温度循环	(1) Test cycles: 5 cycles 试验周期: 5 个周期 (2) Standard condition after test: 1h 试验后的放置条件: 1 小时 <table border="1" data-bbox="448 1308 1054 1503"> <thead> <tr> <th></th> <th>Temperature 温度</th> <th>Duration of test 持续时间</th> </tr> </thead> <tbody> <tr> <td rowspan="4">1 cycle 一次循环</td> <td>$20 \pm 5^{\circ}\text{C}$</td> <td>1h</td> </tr> <tr> <td>$-20 \pm 2^{\circ}\text{C}$</td> <td>1h</td> </tr> <tr> <td>$20 \pm 5^{\circ}\text{C}$</td> <td>1h</td> </tr> <tr> <td>$80 \pm 5^{\circ}\text{C}$</td> <td>1h</td> </tr> </tbody> </table>		Temperature 温度	Duration of test 持续时间	1 cycle 一次循环	$20 \pm 5^{\circ}\text{C}$	1h	$-20 \pm 2^{\circ}\text{C}$	1h	$20 \pm 5^{\circ}\text{C}$	1h	$80 \pm 5^{\circ}\text{C}$	1h	Contact resistance: 200m Ω Max Shall meet : No. 6.2 to 6.4 No. 7.1 to 7.2 接触电阻 200m Ω 以下满足: No. 6.2 to 6.4 No. 7.1 to 7.2
	Temperature 温度	Duration of test 持续时间													
1 cycle 一次循环	$20 \pm 5^{\circ}\text{C}$	1h													
	$-20 \pm 2^{\circ}\text{C}$	1h													
	$20 \pm 5^{\circ}\text{C}$	1h													
	$80 \pm 5^{\circ}\text{C}$	1h													
8.4	Soldering heat test 耐焊接热	Soldering area: T/2 of PWB thickness. (PWB: T=1.6mm) 焊接面积: 印刷基板的 1/2 厚度处 Soldering temperature: $260 \pm 5^{\circ}\text{C}$ Soldering time: $3 \pm 0.5\text{s}$ 焊接温度: $260 \pm 5^{\circ}\text{C}$ 焊接时间: 3 ± 0.5 秒	Appearance: No abnormality. 外观无异常												

“ Confidential ”



P/N: CMI191001W01	DOC. No.: KH-PS1607-56	Rev.: B	Page: 8/10
-----------------------------	----------------------------------	-------------------	----------------------

8.5	Solderability 可焊性	<p>1. Hand soldering 手工焊接: Please practice according to below condition: (1) Soldering Temperature : $350 \pm 5^{\circ}\text{C}$ 焊接温度: $350 \pm 5^{\circ}\text{C}$ (2) Continual soldering time: $3 \pm 0.5\text{s}$ 连续焊接时间: 3 ± 0.5 秒 (3) Capacity of soldering iron: $\leq 20\text{w}$ 电烙铁功率: 20 瓦以下</p> <p>2. Automatic Reflow soldering 自动焊接: For the product of PIP, according to below condition:</p> 	<p>At least 95% of surface area of immersed portion shall be covered by solder. 浸焊面积大于 95% 以上.</p>
8.6	Humidity test 耐湿性	<p>(1) Temperature : $60 \pm 2^{\circ}\text{C}$ 温度: $60 \pm 2^{\circ}\text{C}$ (2) relative humidity: 90~95% R.H. 相对湿度: 90~95% R.H. (3) Duration of test: 96h 持续时间: 96 小时 (4) Take off a drop water 去掉水珠 (5) Standard conditions after test: 1h 试验后的放置条件: 1 小时</p>	<p>Contact resistance: $200\text{m}\Omega$ Max Shall meet : No. 6.2 to 6.4 No. 7.1 to 7.2 接触电阻 $200\text{m}\Omega$ 以下 满足: No. 6.2 to 6.4 No. 7.1 to 7.2</p>
8.7	Salt Mist test 盐雾测试	<p>Apply the following environment to test: 根据下列条件进行测试: (1) Temperature : $35 \pm 5^{\circ}\text{C}$ 温度: $35 \pm 2^{\circ}\text{C}$; (2) Salt water density: $5 \pm 1\%$ 盐水浓度: $5 \pm 1\%$; (3) Duration: 24 hours 持续时间: 24 小时; (4) After test, the salt deposit shall be removed by running water. 实验后将盐沉积物用水冲掉</p>	<p>Appearance: No corrosion spot, no crack, no base plate naked. 外观: 无腐蚀点, 无裂纹, 无裸露基材.</p> <p>Contact Resistance: $200\text{m}\Omega$ Max 接触电阻: 200 毫欧以下</p>



P/N: CMI191001W01	DOC. No.: KH-PS1607-56	Rev.: B	Page: 9/10
-----------------------------	----------------------------------	-------------------	----------------------

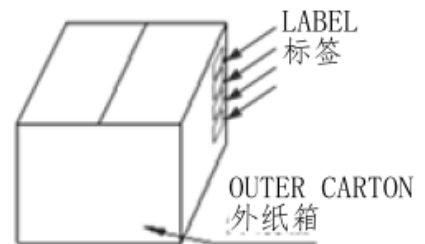
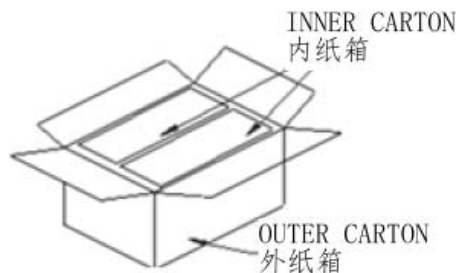
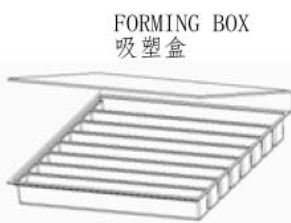
8.8	Withstand K ₂ S 硫化测试	<p>Apply the following environment to test: 根据下列条件进行测试</p> <p>(1) Temperature: 35±5℃ 温度: 35±5℃ (2) K₂S Density: 2%; 硫化钾浓度: 2% (3) Duration: 2 minute. 持续时间: 2 分钟</p>	<p>Appearance: No corrosion spot, no crack, no base plate naked. 外观: 无腐蚀点, 无裂纹, 无裸露基材.</p> <p>Contact Resistance: 200 mΩ Max 接触电阻: 200 毫欧以下</p>
-----	---------------------------------------	---	---

9. Loading Parameter (FP/OP/PT/OF/OT/MD/RF) Specification 荷重参数规格 :

Parameter	Unit	Specification	Remark
FP	mm	11.80±0.3	
OP	mm	11.30±0.3	
OF	gf	150±30	

10. Packaging 包装

Packing Style 包装类型	Quantity 数量	Notes 说明
Forming Box 吸塑盒	100PCS.	
内纸箱 Inner Carton	1500PCS.	Forming Box: 15PCS
外纸箱 Outer Carton	6000PCS.	Inner Carton: 4PCS



11. Precaution 注意事项

11.1 Immersion Soldering condition 浸焊条件

ITEM 项目	CONDITION 条件
Preheat temperature 预热温度	110℃ Max (Ambient temperature of soldering surface of P.W.B) 110℃ 以下(印刷基板焊锡面周围的温度)
Preheat time 预热时间	60s, Max 60 秒以内
Area of flux 助焊剂面积	1/2 Max of PWB Thickness 印刷基板厚度的 1/2 以内
Temperature of solder	260±5℃



P/N:	DOC. No.:	Rev.:	Page:
CMI191001W01	KH-PS1607-56	B	10/10

焊锡温度	260±5℃
Time of immersion 浸焊时间	Within 5s 5 秒以内
Number of soldering 焊接次数	2time Max (But should down heat of the first soldering) 2 次以内
Printed wiring board 印刷基板	Single side copper-clad laminates 单面铜箔

- (1) After switches were soldered, please be careful not to clean switches with solvent
开关浸焊后,注意不要用溶剂清洗.
- (2) Under the condition of using soldering iron, soldering temperature shall be 350℃ max within 3 sec.
在使用烙铁的情况下,焊锡温度应在350℃以下,焊接时间3秒以内.

11.2 Notes 注意点

- (1) Please be cautious not to give excessive static load or shock to switches.
注意不要施加超负荷的压力或晃动开关.
- (2) Please be careful not to stack up P. W. B. after switches were soldered.
开关焊接以后,印刷基板注意不要叠放.
- (3) Preservation under high temperature and high humidity or corrosive gas should be avoided
Especially. When you need to preserve for a long period, do not open the carton.
保管时尤其应注意避开高湿高温和有腐蚀性气体的环境. 如需长时间保存,请不要打开包装箱.
- (4) Products meet the ROHS & REACH environmental management substances control standards
产品满足 ROHS & REACH 环境管理物质管制标准